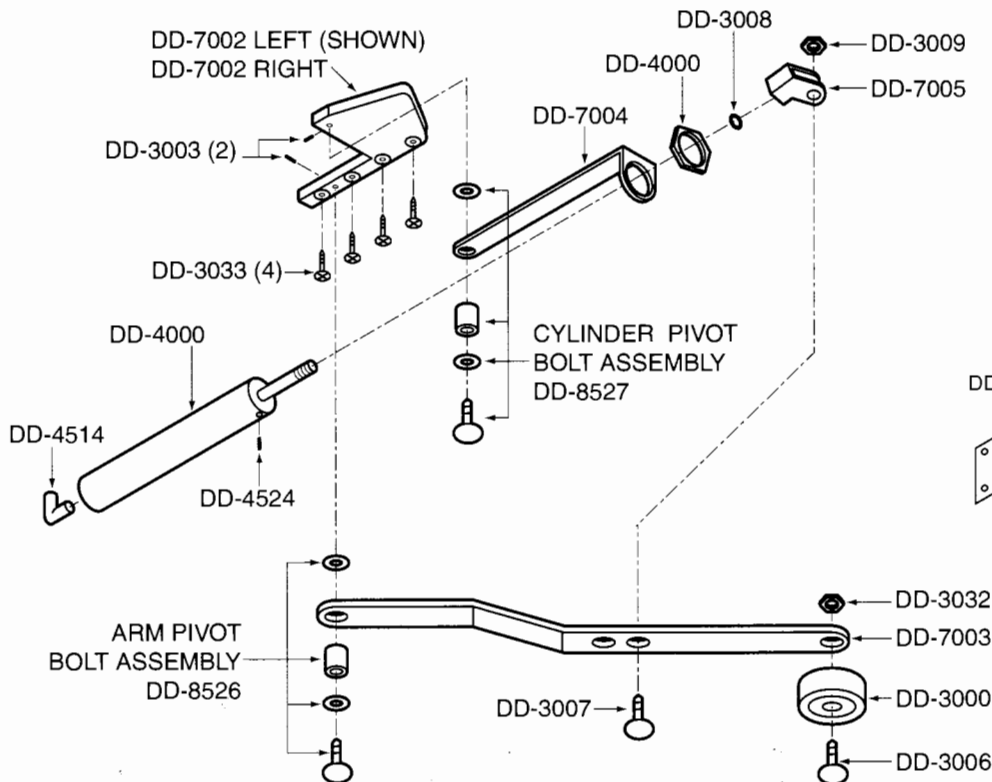


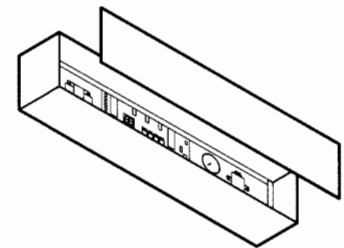
Kwik-Op 600 Assembly and Parts List

Exploded View

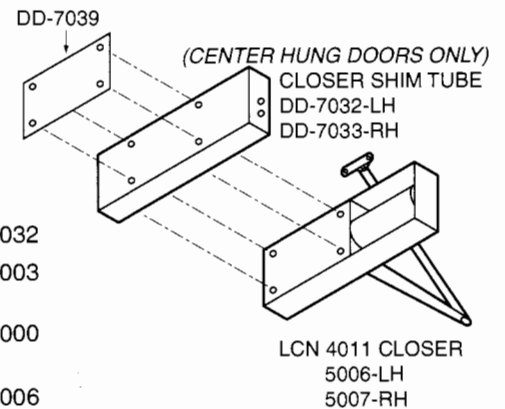


Control Box

DD-8500



Closer



Parts List

Opener Parts

- DD 4000 Cylinder, 2" x 8" stainless steel
- DD 7002 T-bracket, right hand
- DD 7002 T-bracket, left hand
- DD 7003 Arm
- DD 7004 Cylinder bracket
- DD 7005 Clevis
- DD 3000 Wheel
- DD 8526 Arm bolt assembly with bearings
- DD 8527 Cylinder bolt assembly with bearings
- DD 3006 5/16-24 x 1-3/4" hex head cap screw
- DD 3007 5/16-24 x 1-1/2" hex head cap screw
- DD 3008 Jamnut 1/2" x 20
- DD 3003 1/4 - 20 set screw
- DD 3009 5/16 x 24 thin Nyloc nut
- DD 3033 1/4 x 20 x 7/8" flat head phillips

DD 7039 Backer plate

- DD 4514 Swivel 90 degree elbow
- DD 4524 Vent plug
- DD 3032 5/16 Nyloc nut

Closer Parts

- DD 5007RH LCN 4011 Closer, right hand
- DD 5006LH LCN 4011 Closer, left hand
- DD 7033 Closer shim tube, right hand
- DD 7032 Closer shim tube, left hand

Opener Assemblies

- DD 8505 Left hand opener, complete assembly
- DD 8506 Right hand opener, complete assembly
- DD 8500 Control box