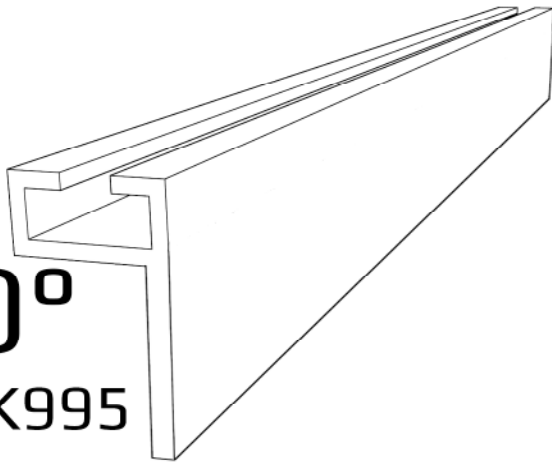


# LED RETAINER TRACK OPTIONS

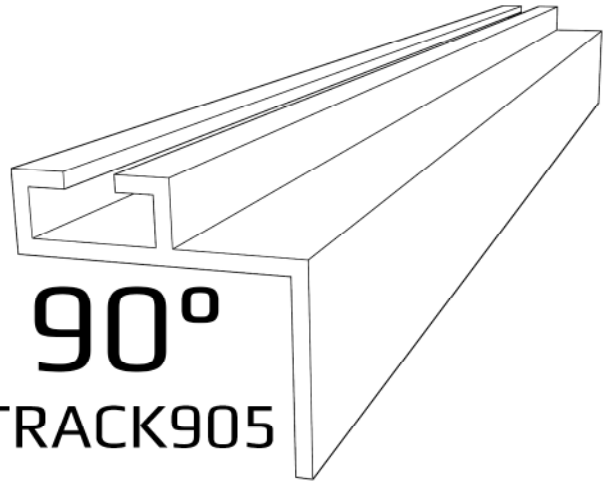
**90°**

**TRACK995**



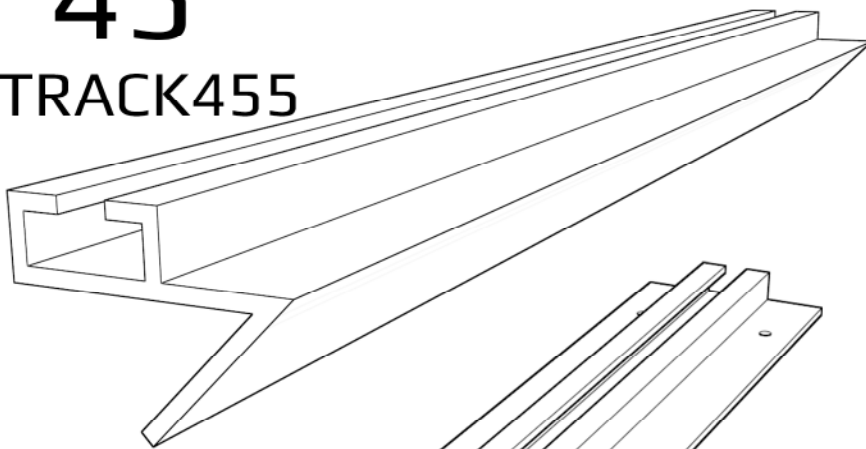
**90°**

**TRACK905**



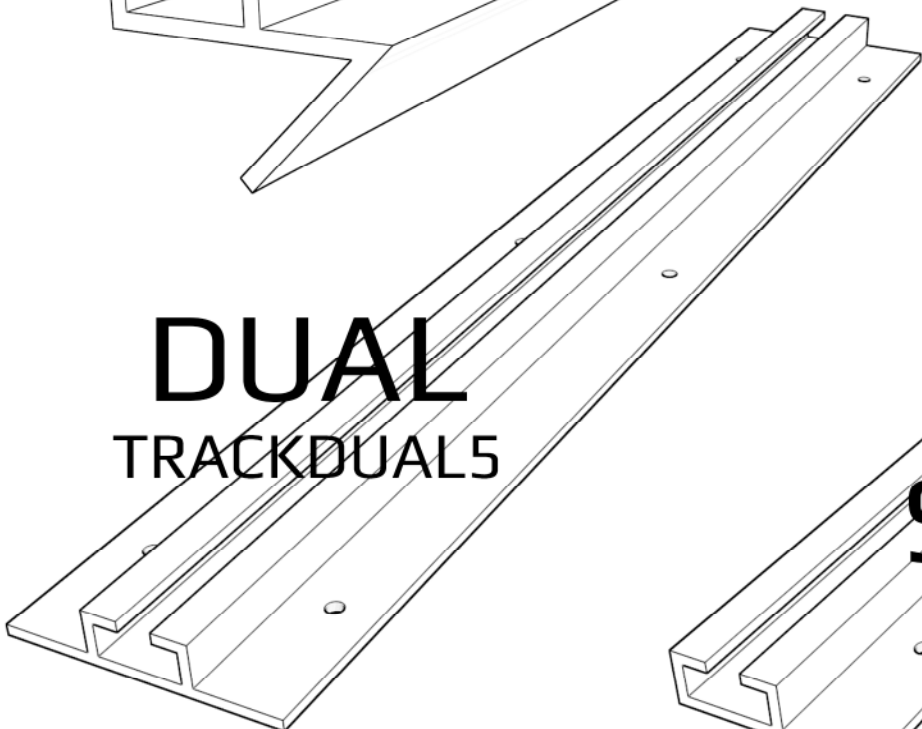
**45°**

**TRACK455**



**DUAL**

**TRACKDUAL5**



**SINGLE**

**TRACKSNG5**

