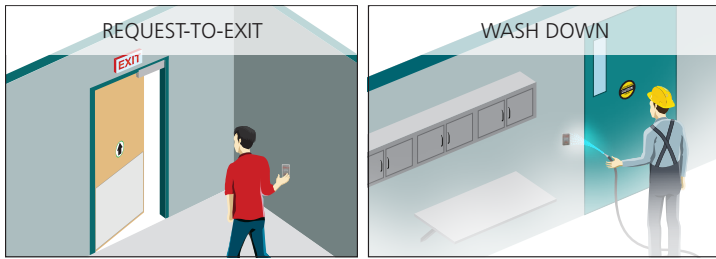


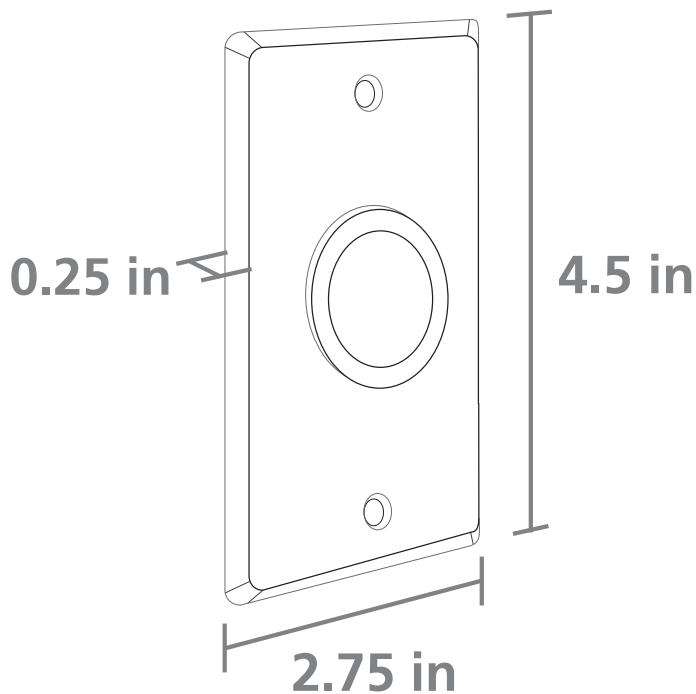
APPLICATIONS



TECHNICAL SPECIFICATIONS

Technology	Piezoelectric
Faceplate Dimensions	Single Gang - 2.75 in (W) x 4.5 in (H)
LED Configuration	Illuminated Red / Green ring that signals activation, which can also be disabled
Materials	Stainless steel faceplate with tamper-resistant screws
Switch Rating	2 A @ 30 VDC 500 mA @ 125 VAC
Hold Time Range (adjustable)	1 s – 40 s
Voltage Input	12 – 24 VDC (auto-sensing)
Relay	DPDT
Operating Temperature	-40 °F – 160 °F
Norm Conformance	NEMA 4 / IP65

DIMENSIONAL DRAWINGS



RELATED PRODUCTS



10PIEZO241
SINGLE,
TEXT ONLY



10BOX245GSM
STANDARD
SURFACE MOUNT

www.BEAinc.com

© 2017 BEA, Inc. All rights reserved.

PIEZO BUTTON

HEAVY DUTY, PIEZOELECTRIC PUSH BUTTON

Erich Industries, Inc.
DoorSensors.com
sales@erichindustries.com
1-800-882-5839

